



TECHNICAL GUIDE FOR INSTALLATIONS WITH ISS 1PLAY

UPS (BACK-UP) 1~ PHASE FOR TN SYSTEM (Ver_)

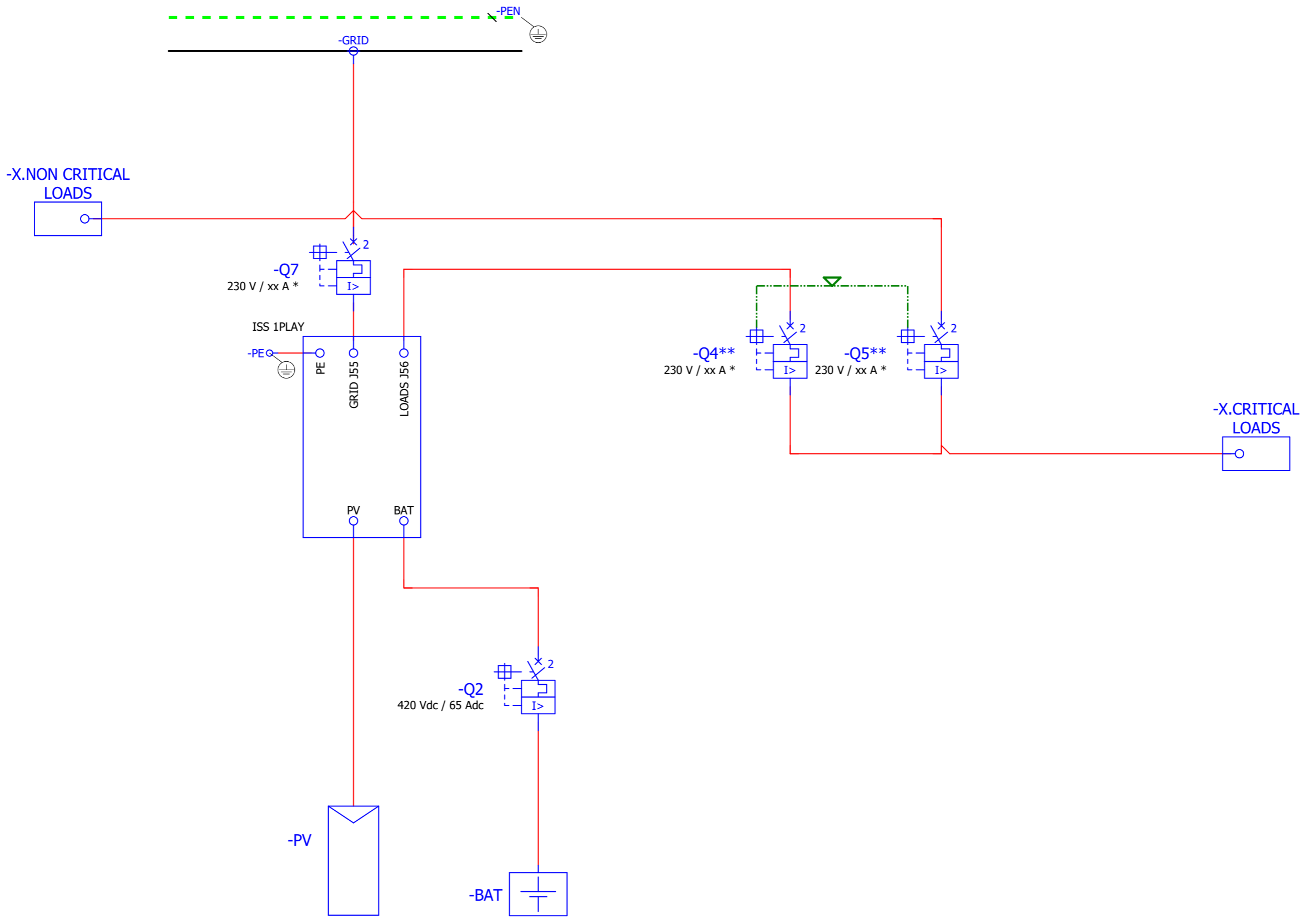
DESIGNED BY	<i>B.R.S</i>
DATE	<i>12/01/2018</i>
REVISED BY	
REVISION DATE	
APPROVED BY	<i>D.B.R</i>

"The reproduction, distribution and utilization of this document as well as the communication of its contents to others without express authorization is prohibited. Offenders will be held liable for the payment of damages. All rights reserved."
ISO 16016

"Sin expresa autorización de Ingeteam, queda terminantemente prohibida la reproducción total o parcial de este documento, así como su uso indebido y/o exhibición o comunicación a terceros. De los infractores se exigirá el correspondiente resarcimiento de daños y perjuicios. Quedan reservados todos los derechos."
ISO 16016

					Date	12/01/2018
					Designed	B.R.S
					Revised	
Rev	Date	Designed	Revised	Approved	Approved	D.B.R





* The nominal current depends on the power of the installation
 ** -Q4 and -Q5 are interlocked. In normal operating conditions -Q4 should be closed. -Q5 should only be operated in case of failure or inverter maintenance.

"The reproduction, distribution and utilization of this document as well as the communication of its contents to others without express authorization is prohibited. Offenders will be held liable for the payment of damages. All rights reserved." ISO 16016

"Sin expresa autorización de Ingeteam, queda terminantemente prohibida la reproducción total o parcial de este documento, así como su uso indebido y/o exhibición o comunicación a terceros. De los infractores se exigirá el correspondiente resarcimiento de daños y perjuicios. Quedan reservados todos los derechos." ISO 16016

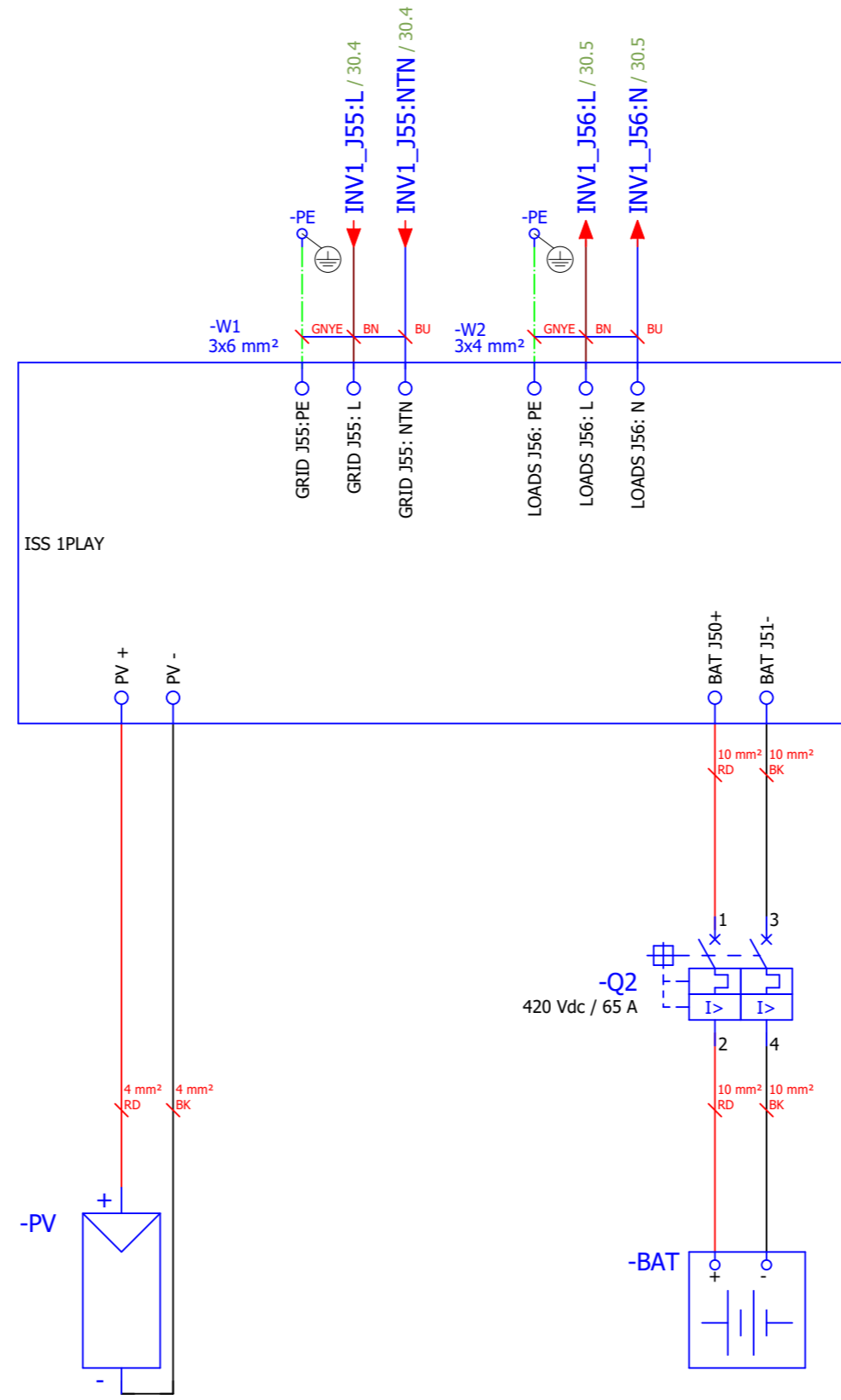
=/2

Date	12/01/2018					
Designed	B.R.S					
Revised						
Rev	Date	Designed	Revised	Approved	Approved	D.B.R

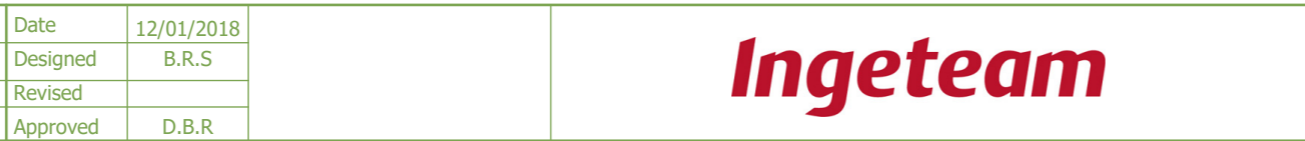


"The reproduction, distribution and utilization of this document as well as the communication of its contents to others without express authorization is prohibited. Offenders will be held liable for the payment of damages. All rights reserved."
ISO 16016

"Sin expresa autorización de Ingeteam, queda terminantemente prohibida la reproducción total o parcial de este documento, así como su uso indebido y/o exhibición o comunicación a terceros. De los infractores, se exigirá el correspondiente resarcimiento de daños y perjuicios. Quedan reservados todos los derechos."
ISO 16016



Date	12/01/2018					
Designed	B.R.S					
Revised						
Rev	Date	Designed	Revised	Approved	Approved	D.B.R

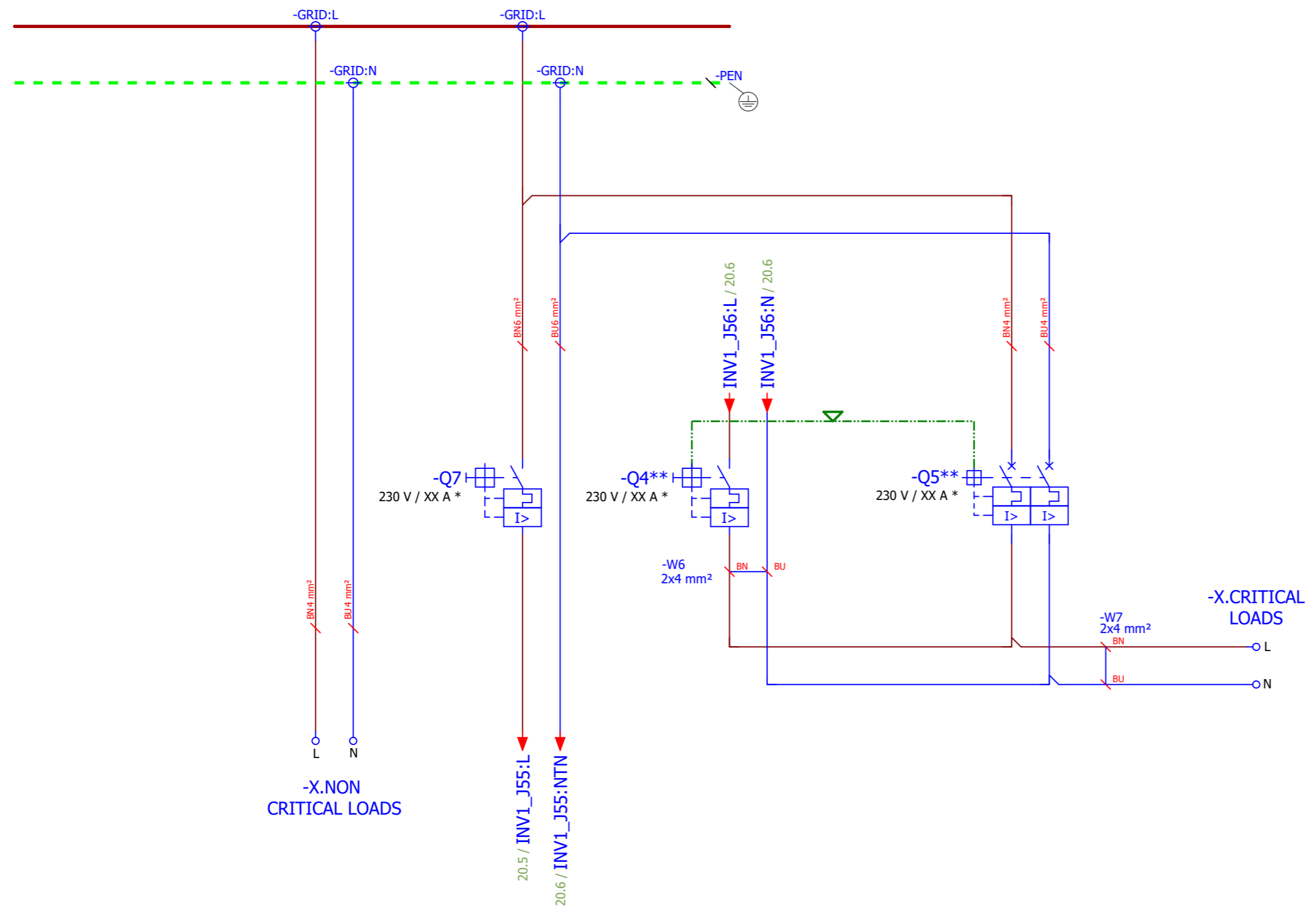


TECHNICAL GUIDE FOR INSTALLATIONS WITH ISS 1PLAY
UPS (BACK-UP) 1~ PHASE FOR TN SYSTEM (Ver_)
ELEC DIAGRAM - CONTROL

Page	20
Rev	_

"The reproduction, distribution and utilization of this document as well as the communication of its contents to others without express authorization is prohibited. Offenders will be held liable for the payment of damages. All rights reserved." ISO 16016

"Sin expresa autorización de Ingeteam, queda terminantemente prohibida la reproducción total o parcial de este documento, así como su uso indebido y/o exhibición o comunicación a terceros. De los infractores se exigirá el correspondiente resarcimiento de daños y perjuicios. Quedan reservados todos los derechos." ISO 16016



* The nominal current depends on the power of the installation

** -Q4 and -Q5 are interlocked. In normal operating conditions -Q4 should be closed. -Q5 should only be operated in case of failure or inverter maintenance.

Date	12/01/2018					
Designed	B.R.S					
Revised						
Rev	Date	Designed	Revised	Approved	Approved	D.B.R