



## TECHNICAL GUIDE FOR INSTALLATIONS WITH ISS 1PLAY

# SELF CONSUMPTION 1~ MANAGED BY ISS 1PLAY FOR TT SYSTEM (Ver\_B)

---

DESIGNED BY	<i>B.R.S</i>
DATE	<i>04/01/2017</i>
REVISED BY	<i>B.R.S</i>
REVISION DATE	<i>12/01/2018</i>
APPROVED BY	<i>D.B.R</i>

---

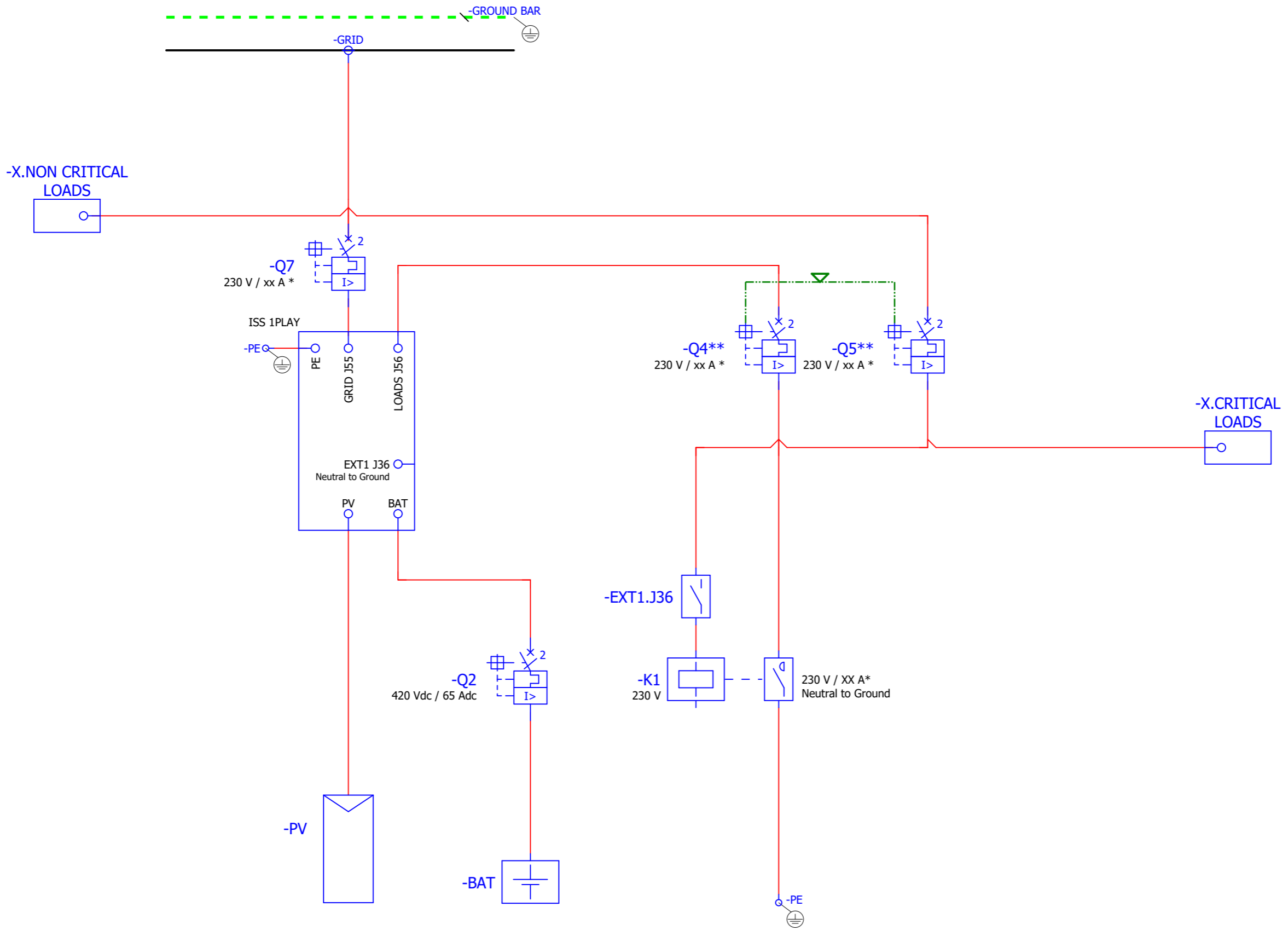
"The reproduction, distribution and utilization of this document as well as the communication of its contents to others without express authorization is prohibited. Offenders will be held liable for the payment of damages. All rights reserved."  
ISO 16016

"Sin expresa autorización de Ingeteam, queda terminantemente prohibida la reproducción total o parcial de este documento, así como su uso indebido y/o exhibición o comunicación a terceros. De los infractores se exigirá el correspondiente resarcimiento de daños y perjuicios. Quedan reservados todos los derechos."  
ISO 16016

Rev	Date	Designed	Revised	Approved	Approved	Date
_B	12/01/2018	B.R.S	B.R.S	D.B.R	Designed	04/01/2017
A	31/05/2017	B.R.S	B.R.S	D.B.R	Revised	B.R.S
					Approved	D.B.R







\* The nominal current depends on the power of the installation  
 \*\* -Q4 and -Q5 are interlocked. In normal operating conditions -Q4 should be closed. -Q5 should only be operated in case of failure or inverter maintenance.

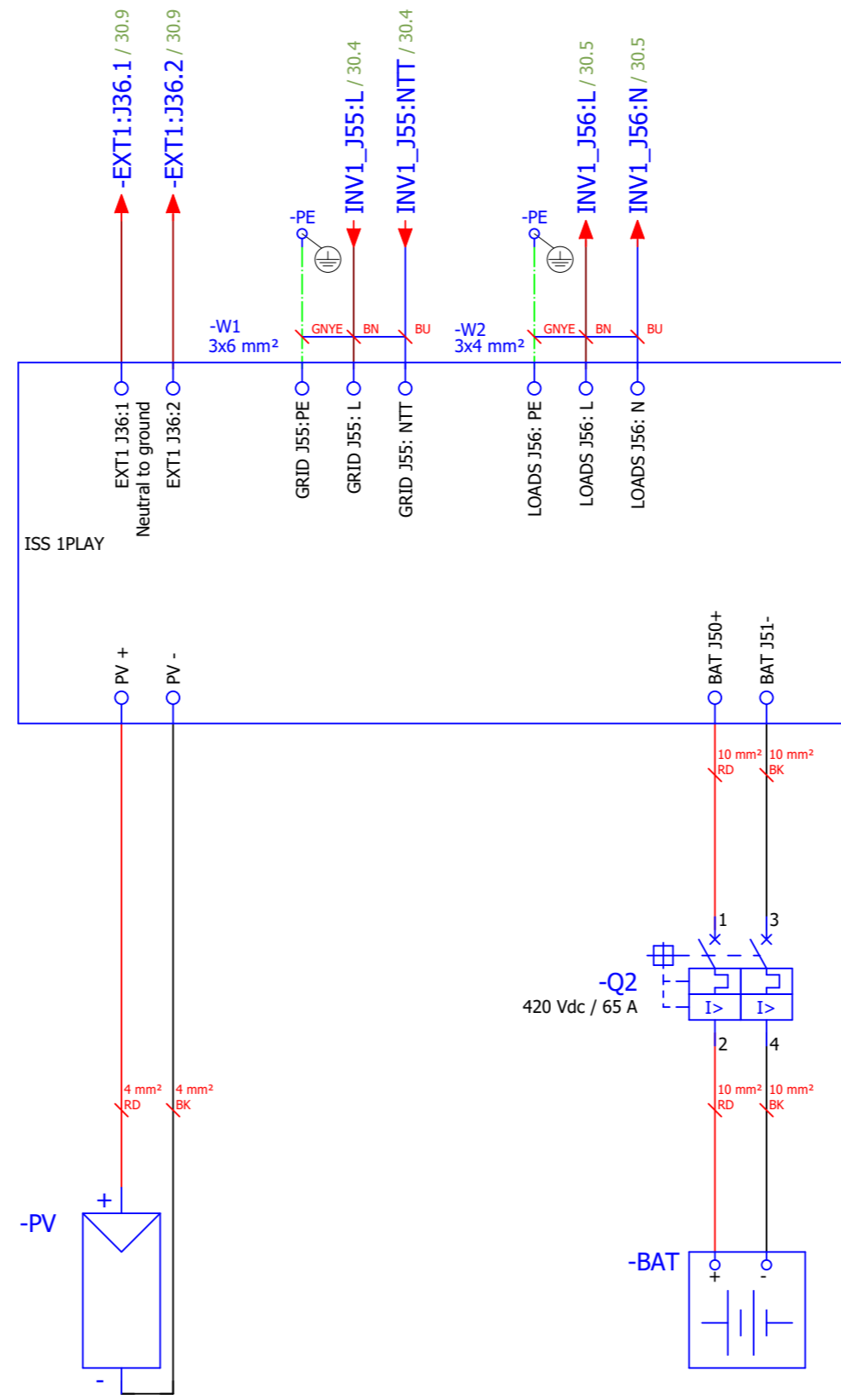
"The reproduction, distribution and utilization of this document as well as the communication of its contents to others without express authorization is prohibited. Offenders will be held liable for the payment of damages. All rights reserved." ISO 16016

"Sin expresa autorización de Ingeteam, queda terminantemente prohibida la reproducción total o parcial de este documento, así como su uso indebido y/o exhibición o comunicación a terceros. De los infractores se exigirá el correspondiente resarcimiento de daños y perjuicios. Quedan reservados todos los derechos." ISO 16016

Date	04/01/2017					
Designed	B.R.S					
Revised	B.R.S					
Approved	D.B.R					
Rev	Date	Designed	Revised	Approved	Approved	D.B.R

"The reproduction, distribution and utilization of this document as well as the communication of its contents to others without express authorization is prohibited. Offenders will be held liable for the payment of damages. All rights reserved."  
ISO 16016

"Sin expresa autorización de Ingeteam, queda terminantemente prohibida la reproducción total o parcial de este documento, así como su uso indebido y/o exhibición o comunicación a terceros. De los infractores, se exigirá el correspondiente resarcimiento de daños y perjuicios. Quedan reservados todos los derechos."  
ISO 16016



					Date	04/01/2017
_B	12/01/2018	B.R.S	B.R.S	D.B.R	Designed	B.R.S
A	31/05/2017	B.R.S	B.R.S	D.B.R	Revised	B.R.S
Rev	Date	Designed	Revised	Approved	Approved	D.B.R

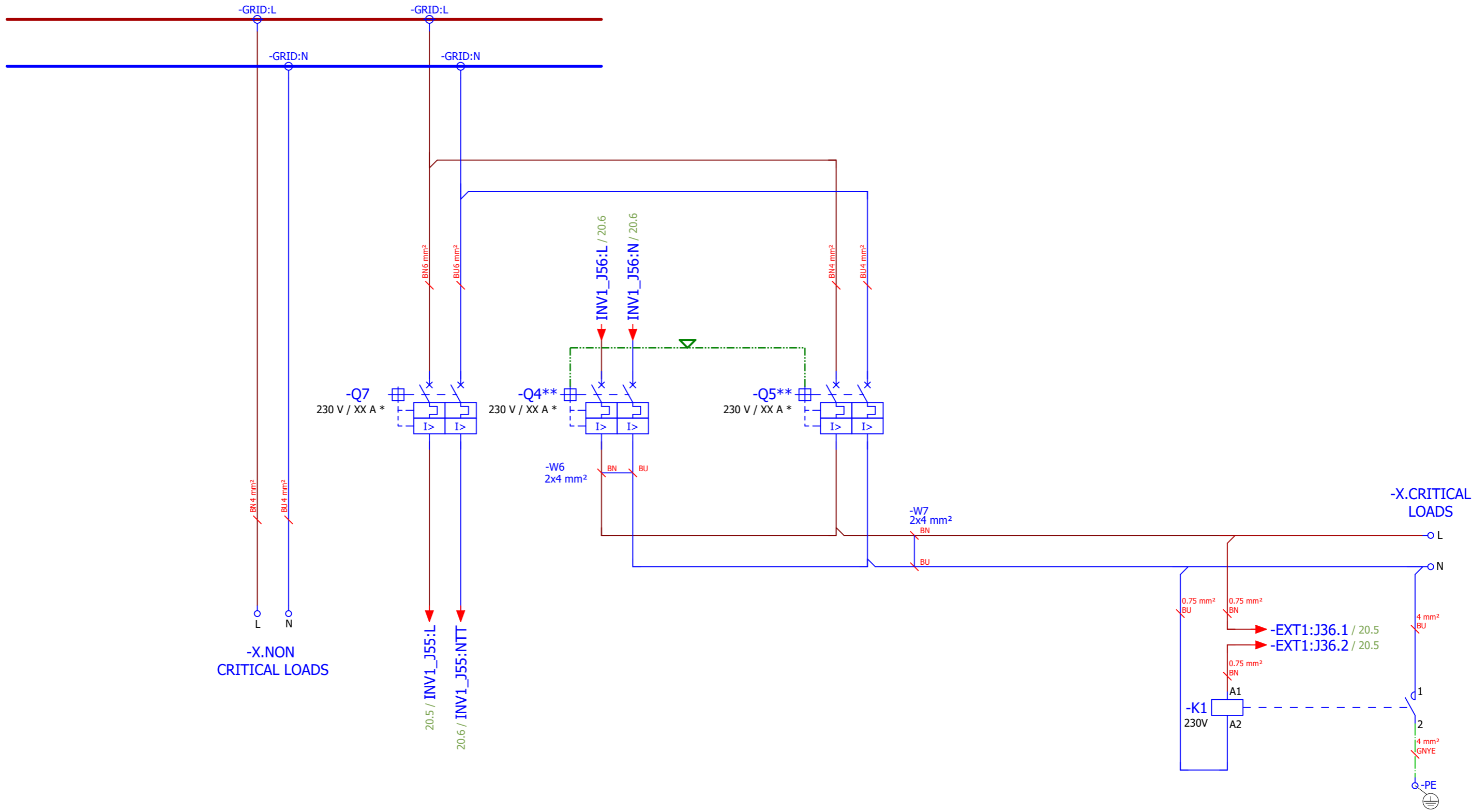


TECHNICAL GUIDE FOR INSTALLATIONS WITH ISS 1PLAY  
SELF CONSUMPTION 1~ MANAGED BY ISS 1PLAY FOR TT SYSTEM (Ver\_B)  
ELEC DIAGRAM - CONTROL

Page	20
Rev	_B

"The reproduction, distribution and utilization of this document as well as the communication of its contents to others without express authorization is prohibited. Offenders will be held liable for the payment of damages. All rights reserved." ISO 16016

"Sin expresa autorización de Ingeteam, queda terminantemente prohibida la reproducción total o parcial de este documento, así como su uso indebido y/o exhibición o comunicación a terceros. De los infractores, se exigirá el correspondiente resarcimiento de daños y perjuicios. Quedan reservados todos los derechos." ISO 16016



\* The nominal current depends on the power of the installation

\*\* -Q4 and -Q5 are interlocked. In normal operating conditions -Q4 should be closed. -Q5 should only be operated in case of failure or inverter maintenance.

Date	04/01/2017					
Designed	B.R.S					
Revised	B.R.S					
Approved	D.B.R					
Rev	Date	Designed	Revised	Approved	Approved	D.B.R